



CHIKUSUI CANYCOM, INC.

<http://www.canycom.jp/eng/>

**HEAD OFFICE**

90-1 Fukumasu, Yoshii, Ukiha, Fukuoka, 839-1396, JAPAN  
TEL +81-943-75-2195 FAX +81-943-75-4396

**HAKATA OFFICE(OVERSEAS DIV.)**

Yutoku Bldg 6F, 1-5 Nakagofuku-machi, Hakata,  
Fukuoka, 812-0035, JAPAN  
TEL +81-92-272-1104 FAX +81-92-272-1119

**TOKYO OFFICE**

Onarimon Excellent Bldg 6F, 1-1-32, Shibadaimon, Minato,  
Tokyo, 105-0012, JAPAN  
TEL +81-3-6402-2621 FAX +81-3-6402-2622

**AUSTRIA OFFICE**

A-8524 Bad Gams 13, AUSTRIA  
TEL +43-6991-6300303 FAX +43-3463-232123  
<http://www.canycom.st/>

**PHILIPPINE OFFICE**

TEL +63-93-2793-2262

**CANYCOM USA, INC.**

16000 Christensen Road Suite 308 Tukwila, WA 98188, USA  
TEL +1-425-450-0381 FAX +1-425-450-0384  
<http://www.canycomsales.com/>

**CANYCOM CANADA, LTD.**

Address: #17 - 7760 Okanagan Landing Rd.  
Vernon BC V1H 1Z4

**CANYCOM KOREA, INC.**

1602-ho, Busan sience technology center, Busan Technopark,  
1277, Jisa-dong, Gangseo-gu, Busan, 618-230, KOREA  
TEL +82-51-832-2141 FAX +82-51-832-2142  
<http://www.canycom.co.kr/>

**CHIKUSUI AGRICULTURE MACHINES (CHANGZHOU) CO.,LTD.**

No.9 Lan Xiang Road, Wujin Economic Development Zone, Changzhou Jiangsu, CHINA  
TEL +86-519-89180222 FAX +86-519-89181222  
筑水农机(常州)有限公司 江苏省常州市武进经济开发区兰香路9号 电话0519-89180222 传真0519-89181222  
<http://www.canycom.com.cn/>

**Key Operating Instructions**

Please carefully review and adhere to the cautionary points below when operating the carrier vehicle. Depending on the conditions of the job site, the operational procedures of the vehicle will change, so please take particular caution according to the following instructions.

- Carefully review and follow the operator's manual before operating the machine.
- Always inspect the brake and check for safety before operating the vehicle.
- When operating the machine please be cautious of your surroundings to prevent accidents from flying stones and other objects.
- Warning: Various use carriers and industrial vehicles are for use within operating areas and are not suitable for public roads.
- Please note that we are not responsible for accidents caused by behavior that goes against the precautions laid out in the operator's manual.
- Catalog are based on models made in March 2020 and are subject to change. Please be aware that changes to and discontinuation of models (including engine models) or changes in price may occur due to inevitable societal circumstances.
- Changes to specifications to improve models may occur without notice.
- The appearance of products in this catalog may differ slightly from the actual models.
- Specifications and regulations may vary in different markets.
- Product image for illustration purposes only. Actual product may vary.

2020.3.200



Monozukuri (the art of manufacturing) is our  
Enka and Naniwabushi (soul music),  
and embodies our sense of duty (Giri) and humanity (Ninjou).  
We bring you our Giri and Ninjou.

**JAPAN OFFICES**



**OVERSEAS OFFICES**



**OCEANIA**



MADE IN JAPAN  
FUKUOKA

# RIDE ON BRUSHCUTTER



## 2020 PRODUCT CATALOG

by CANYCOM - SUPERIOR JAPANESE ENGINEERING



# WE BUILD TOUGH

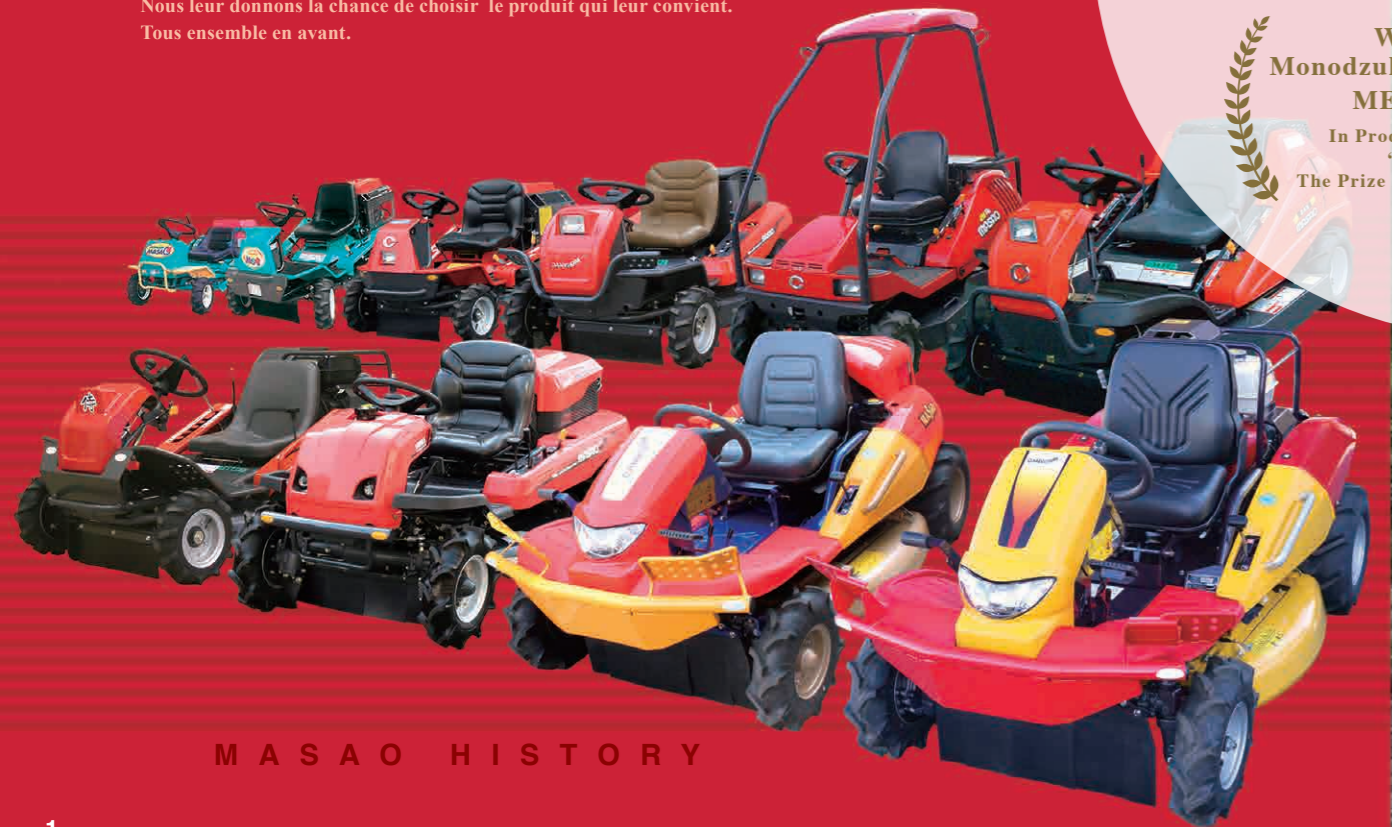
A rugged product made in Japan.  
CANYCOM original design.  
MASAO continues to be loved  
by everyone and continues to be improved.

## 🇬🇧 To our valued clients

We take pride in supporting our clients with our reliable technology.  
We give them the chance to select the products that will suit their needs.  
Together, we go further.

## 🇫🇷 A nos chers clients

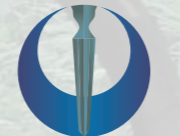
Nous sommes fiers de soutenir nos clients grâce à notre technologie fiable.  
Nous leur donnons la chance de choisir le produit qui leur convient.  
Tous ensemble en avant.



MASAO HISTORY

# MASAO

4 Wheel Drive  
Brush Cutter MASAO



ものづくり日本大賞  
優秀賞

Winner of the Sixth  
Monodzukuri Nippon Grand Award  
METI Excellence Prize  
In Product And Engineering Division  
"Canycom Masao Team"  
The Prize Presented By The Prime Minister.



movie  
Ride on Brush cutter MASAO



movie  
Climbing prowess



# Why Masao is uniquely different to other mower on the market



## Ride on Brushcutter

MAX speed  
13.8km/h

High grass  
No problem!

Cutting height  
0~150mm

## Traditional Lawnmower



Fast! Moves up to 13.8km/h and 7.7km/h during operation.  
Labor Efficiency 7,300m<sup>2</sup>/h\* (The same area as soccer ground)  
(25% improvement compared to previous AWD models)  
\*May vary due to operating conditions

Even when using a ride on brush cutter, brush cutting work take It's toll under extreme summer conditions. In order to finish brush cutting jobs as quickly as possible we have produced the fastest brush cutter (moves at 13.8 km/h and 7.7 km/h during operation) in the industry. In addition, the HST provides smooth acceleration and braking for a fantastic running start. A uniquely developed damper softens any shock when braking.



### MASAO vs Hand Brush cutter

Easy & Safe control!!

50~60cm

30m 30m  
20m 20m

START!!

MASAO Wins!!

Job done in 19min!!

CMX1402  
CM1401

CYCLONE  
AIR CLEANER MODEL



CMX1808



CMX2302  
CMX2106

CYCLONE  
AIR CLEANER MODEL

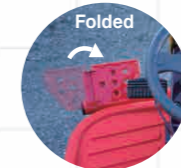


CMX2402

CYCLONE  
AIR CLEANER MODEL



## Ride on Brushcutter MASAO MODEL IMAGE



# Exclusive Shaft Drive

On previous models drive belts required adjustment and replacing that placed a burden on users and retailers. Additionally, when washing the blade cover after cutting the grass the belt would get in the way. By using the long life Shaft Drive, you will experience the increased maintainability and benefit of the blade drive.



For more information



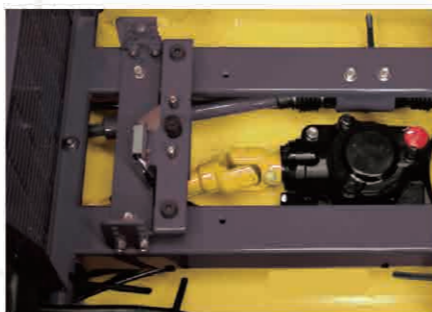
No belt hassles, gets all the power to the blades



Shaft Drive



Gets all the power to the blades

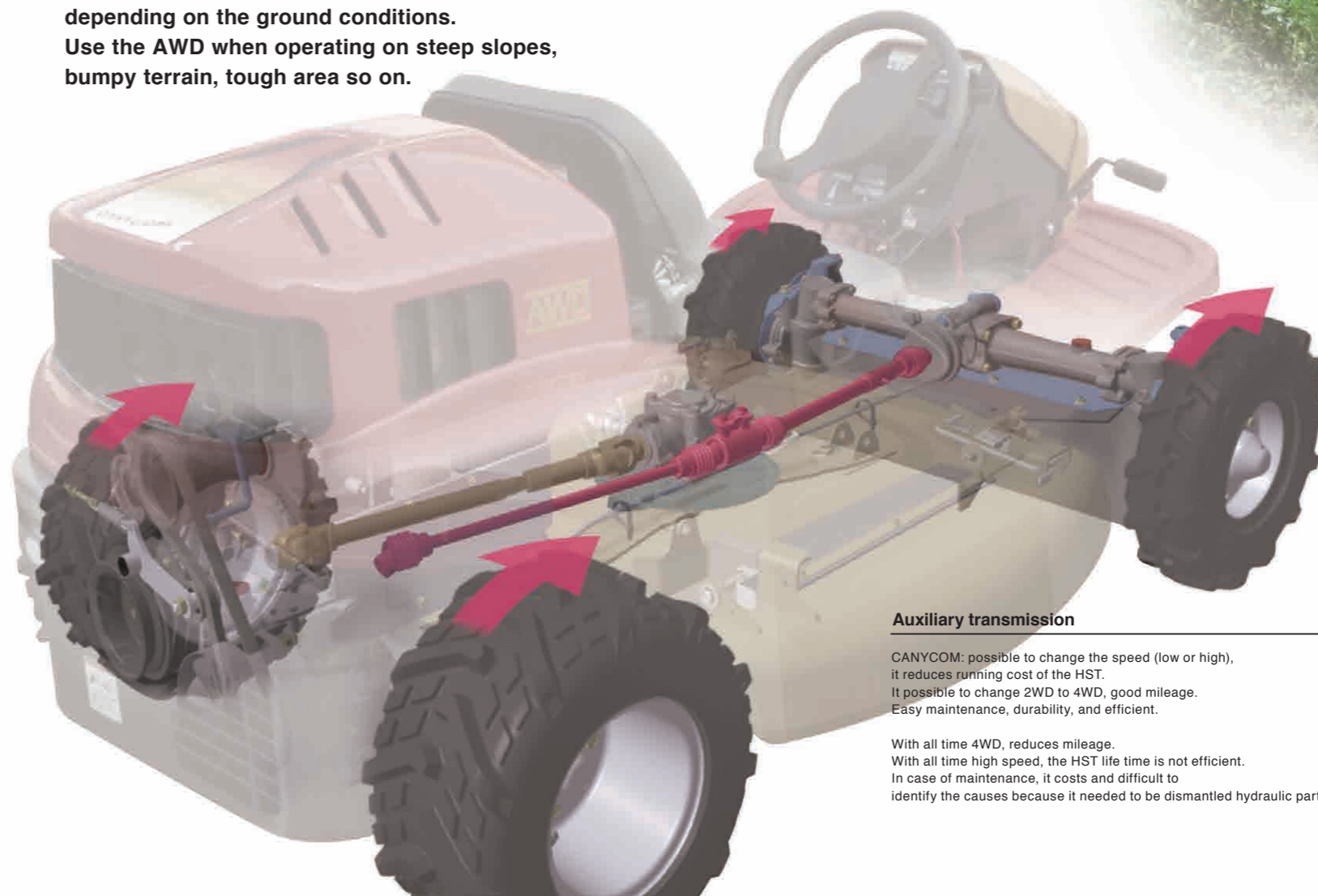


Super tough shaft driven gearbox

# Powerful & Efficient AWD

You can switch from AWD to 2WD (vice versa) depending on the ground conditions. Use the AWD when operating on steep slopes, bumpy terrain, tough area so on.

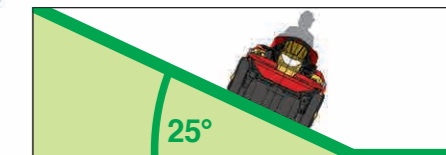
Powerful machines



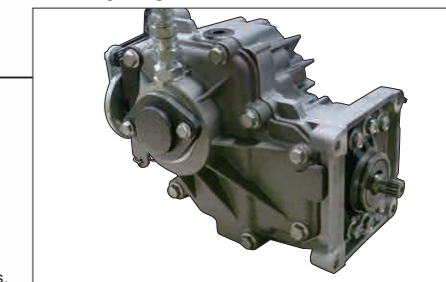
### Climbing prowess



Gradeability (Except CM1401)



Stability Angle



HST image

### Auxiliary transmission

CANYCOM: possible to change the speed (low or high), it reduces running cost of the HST. It possible to change 2WD to 4WD, good mileage. Easy maintenance, durability, and efficient.

With all time 4WD, reduces mileage. With all time high speed, the HST life time is not efficient. In case of maintenance, it costs and difficult to identify the causes because it needed to be dismantled hydraulic parts.

# Tough Swinging Blade System

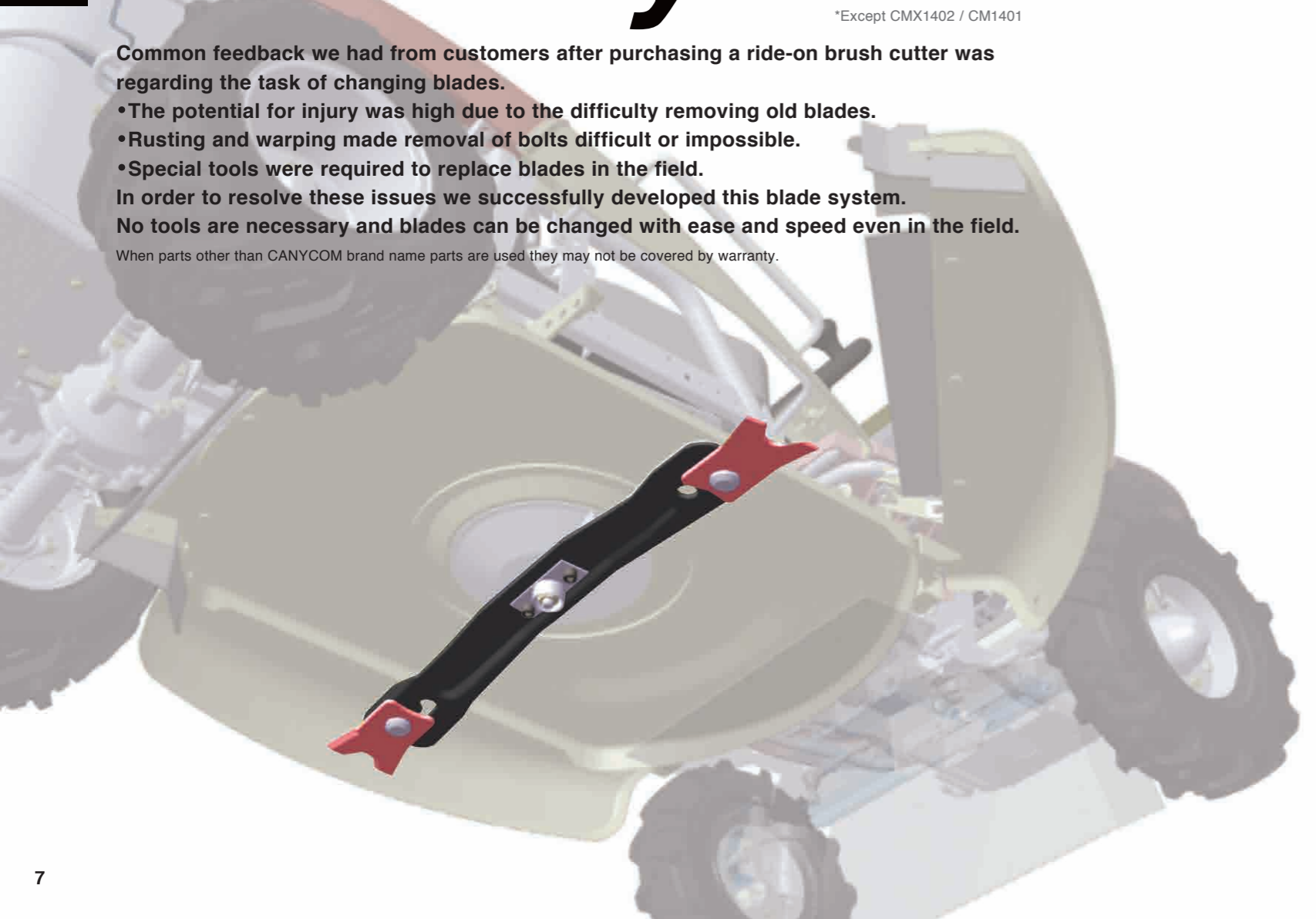
\*Except CMX1402 / CM1401

Common feedback we had from customers after purchasing a ride-on brush cutter was regarding the task of changing blades.

- The potential for injury was high due to the difficulty removing old blades.
- Rusting and warping made removal of bolts difficult or impossible.
- Special tools were required to replace blades in the field.

In order to resolve these issues we successfully developed this blade system. No tools are necessary and blades can be changed with ease and speed even in the field.

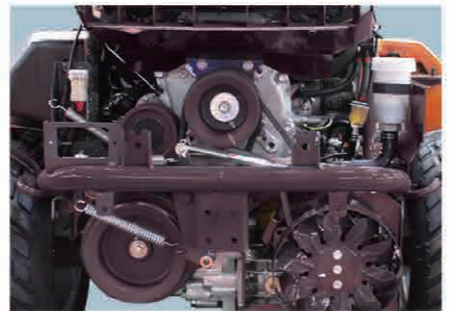
When parts other than CANYCOM brand name parts are used they may not be covered by warranty.



Open cutting blade shield



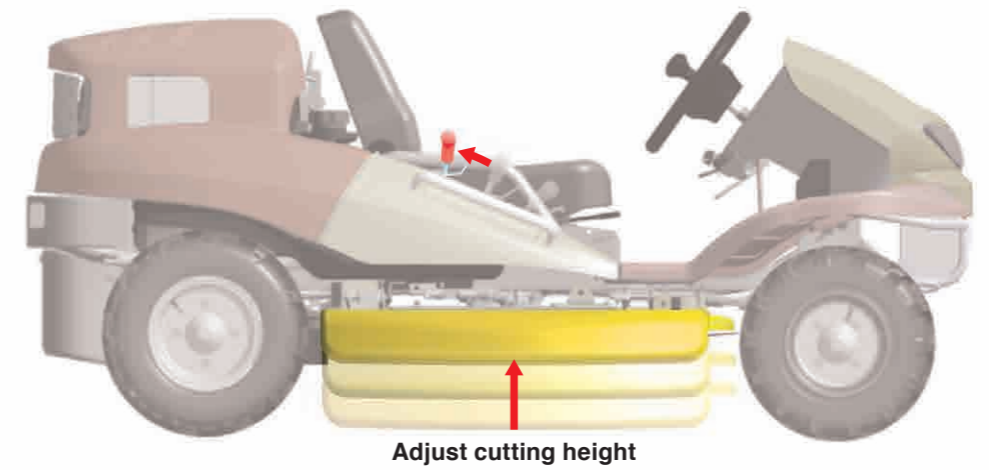
Toolless easy change - cutting blade



Cutting Rotary Drive Belt · Brake

# Easy and Convenient Height of Cut Control

The grass cutting length lever has been made as short as possible to ensure that it will not catch on branches no matter how low. An ergonomic low resistance control lever makes adjustments of 0-150mm, or 21 levels of adjustment, possible.



Adjust cutting height



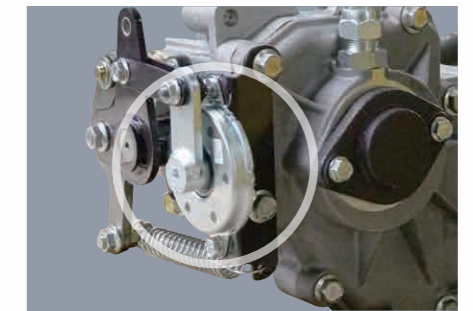
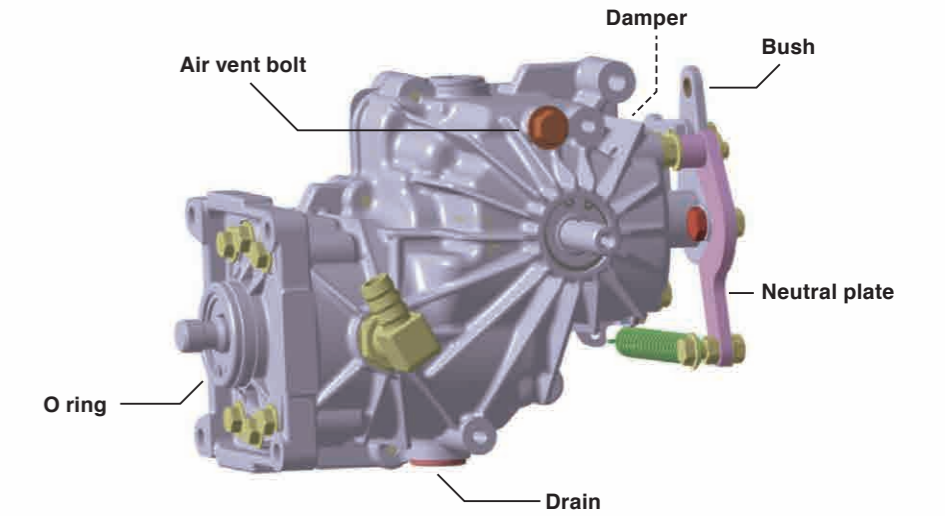
Before



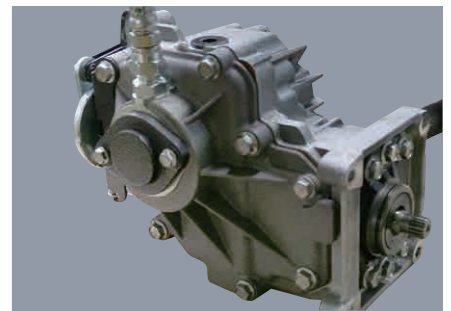
After

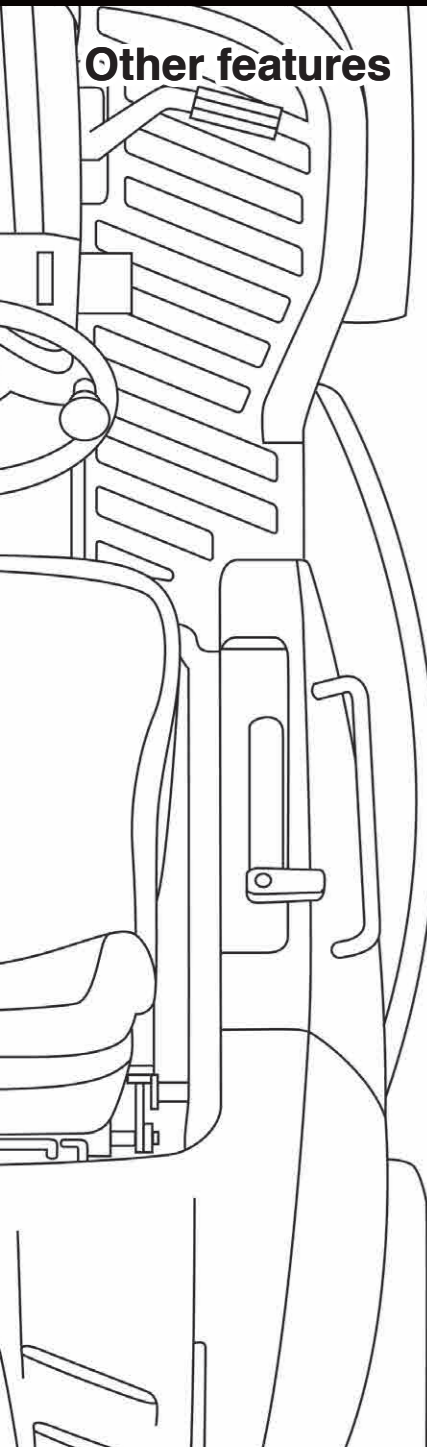
# Made by Canycom CHST

By the unique technology of CANYCOM, we realized further increase of advance speed than former HST. Also we equipped neutral position adjusting mechanism on HST side and succeeded reduction of neutral position failure by aging degradation. Installed drain in bottom of HST to facilitate oil draining at oil change work.



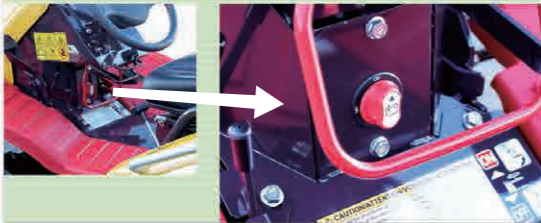
We installed damper to lighten the shock at machine stop.





**Other features**

**Battery Cut Switch**



**Engine**

**VANGUARD**  
 3864 (627cc)  
 3854 (627cc)  
 3564 (570cc)

3854 (627cc) with cyclone model

**HONDA**  
 GX690 (688cc)  
 GX390 (389cc)

GX390 CMX1402/390(389cc)

**Donaldson's air cleaner**  
 CMX2402 CMX2302 CMX2106



**Wide cutting width**



**Charge pump**

Charge pump specification

Life time 1000h (with charge pump)  
 Life time 300h (no charge pump)

**Adjustment**

**Steering wheel**

**Steering wheel**

**Seat**

**Good running performance on the rough area**

Front Rear

CMX2402 / CMX2302 / CMX2106 / CMX1808 / CMX1402 / CM1401  
 Parts No.  
 Front: 5332 2202 000 / Rear: 5332 2302 000

**Minimum turning radius 1.8m**



**Grammer Seat (Standard Equipment)**



**Blade Cleaning**





**Cutter Performance Examples**

1000m<sup>2</sup> = 0.24 acres  
 Values may vary depending on environmental conditions.

Brush Type	Miscellaneous mixed brush	One kind of brush	One kind of brush	One kind of brush	100 of the World's Worst Invasive Alien Species
	 60% Millet / 1% Pampas 1% Nebia / 2% Other	 Pampas	 Nebia (pasture)	 Japanese dock	 Lantana
Grass Height	200-250cm	100-150cm	80-120cm	50-100cm	100cm-
Time needed to cut brush per 1000m <sup>2</sup>	About 3 hours	About 2 hours	About 1 hour	About 40 mins	About 1 hour

# Specifications

Model and Type ▶		CMX2406 HEFD	CMX2402 HEFD	CMX2302 BCAU	CMX2106 BCAU	CMX1808 BCAU	CMX1402 HCAU	CM1401HCAU
			 <b>22 PS</b> *Net <b>AWD</b>	 <b>23 PS</b> *Gross <b>AWD</b>	 <b>21 PS</b> *Gross <b>AWD</b>	 <b>18 PS</b> *Gross <b>AWD</b>	 <b>11 PS</b> *Net <b>AWD</b>	 <b>11 PS</b> *Net <b>2WD</b>
AWD(4WD)			●	●	●	●	●	-
Front Brake			●	●	●	●	●	-
Charge Pump			●	●	●	-	-	-
Cyclone			●	●	●	-	●	●
Cutting System	Shaft Drive		●	●	●	●	●	●
	Easy Blade System		●	●	●	●	-	-
	Cut Control (Cutting Height)		●	●	●	●	●	●
	Cutting Width		0~150(21steps)	0~150(21steps)	0~150(21steps)	0~150(21steps)	0~150(21steps)	0~150(21steps)
	Number of Blades		975mm	975mm	975mm	975mm	975mm	975mm
Blade Type			2	2	2	2	2	2
Machine Mass			Free Knife & Stepped Stay	Free Knife & Stepped Stay	Free Knife & Stepped Stay	Free Knife & Stepped Stay	Free Knife & Stepped Stay	Free Knife & Stepped Stay
Mowing Rate			365kg	360kg	360kg	350kg	340kg	320kg
Model			7300m <sup>2</sup> /h <sup>-1</sup>	7300m <sup>2</sup> /h <sup>-1</sup>	7300m <sup>2</sup> /h <sup>-1</sup>	7300m <sup>2</sup> /h <sup>-1</sup>	7200m <sup>2</sup> /h <sup>-1</sup>	7200m <sup>2</sup> /h <sup>-1</sup>
Type			HONDA GX690 <sup>*2</sup>	B&S 3864	B&S 3854	B&S 3564	HONDA GX390	HONDA GX390
Displacement			Air-cooled 4-cycle V-twin Gasoline (OHV)	Air-cooled 4-cycle V-twin Gasoline	Air-cooled 4-cycle V-twin Gasoline	Air-cooled 4-cycle V-twin Gasoline	Air-cooled 4-cycle single cylinder OHV, Gasoline	Air-cooled 4-cycle single cylinder OHV, Gasoline
Maximum Output			688cm <sup>3</sup>	627cm <sup>3</sup>	627cm <sup>3</sup>	570cm <sup>3</sup>	389cm <sup>3</sup>	389cm <sup>3</sup>
Maximum Torque			16.5kW(22.4PS)/3600rpm <sup>*3</sup>	17.1kW(23.2PS)/3600rpm	15.7kW(21.3PS)/3600rpm <sup>*3</sup>	13.5kW(18.4PS)/3600rpm	8.7kW(11.8PS) /3600rpm <sup>*3</sup>	8.7kW(11.8PS)/3600rpm <sup>*3</sup>
Starter System			48.3N·m(4.83kgf·m)/2500rpm <sup>*3</sup>	43N·m(4.38kgf·m)	41.5N·m(4.28kgf·m)	35.5N·m(3.62kgf·m)	26.5N·m(2.65kgf·m)/2500rpm <sup>*3</sup>	26.5N·m(2.65kgf·m)/2500rpm <sup>*3</sup>
Fuel			Electric	Electric	Electric	Electric	Electric(Recoil)	Electric(Recoil)
Fuel Consumption			Automotive Unleaded Gasoline	Automotive Unleaded Gasoline	Automotive Unleaded Gasoline	Automotive Unleaded Gasoline	Automotive Unleaded Gasoline	Automotive Unleaded Gasoline
Fuel Tank Capacity			304.5g/kW·h(224g/PS·h)	321g/kW·h(238g/PS·h)	321g/kW·h(238g/PS·h)	335g/kW·h(248g/PS·h)	302g/kW·h(222g/PS·h)	302g/kW·h(222g/PS·h)
Speed			20L	20L	20L	20L	6.1L	6.1L
Minimum Turning Radius			High 0 to13.8km/h Low 0 to 7.7km/h	High 0 to13.8km/h Low 0 to 7.7km/h	High 0 to 13.8km/h Low 0 to 7.7km/h	High 0 to13.8km/h Low 0 to 7.7km/h	High 0 to 13.2 km/h Low 0 to 7.4km/h	High 0 to 13.2 km/h Low 0 to 7.4km/h
Gradeability			1.8m	1.8m	1.8m	1.8m	1.8m	1.8m
Stability Angle			25°	25°	25°	25°	25°	15°
Main Transmission			25° <sup>*4</sup>	25°	25°	25°	25°	15°
Auxiliary Transmission			HST(Continuously Variable)	HST(Continuously Variable)	HST(Continuously Variable)	HST(Continuously Variable)	HST(Continuously Variable)	HST(Continuously Variable)
Tires			Constant Mesh	Constant Mesh	Constant Mesh	Constant Mesh	Constant Mesh	Constant Mesh
Steering			AGR 4.00-7 (2PR)	4.00-7(4PR) AGR 4.00-7 (2PR)	4.00-7(4PR) AGR 4.00-7 (2PR)	4.00-7(4PR) AGR 4.00-7 (2PR)	AGR 4.00-7(2PR)	AGR 4.00-7(2PR)
Brakes			17x8.00-8(4PR)	17x8.00-8(4PR)	17x8.00-8(4PR)	17x8.00-8(4PR)	17x8.00-8(4PR)	17x8.00-8(4PR)
			Rack and Pinion Round Steering Wheel	Rack and Pinion Round Steering Wheel	Rack and Pinion Round Steering Wheel	Rack and Pinion Round Steering Wheel	Rack and Pinion Round Steering Wheel	Rack and Pinion Round Steering Wheel
			Internally Expanding	Internally Expanding	Internally Expanding	Internally Expanding	Internally Expanding	Internally Expanding

**Coming Soon**

ROPS  
HONDA GX690  
Donaldson's air cleaner

\*1 Estimated at the maximum speed with the auxiliary transmission in Low position.

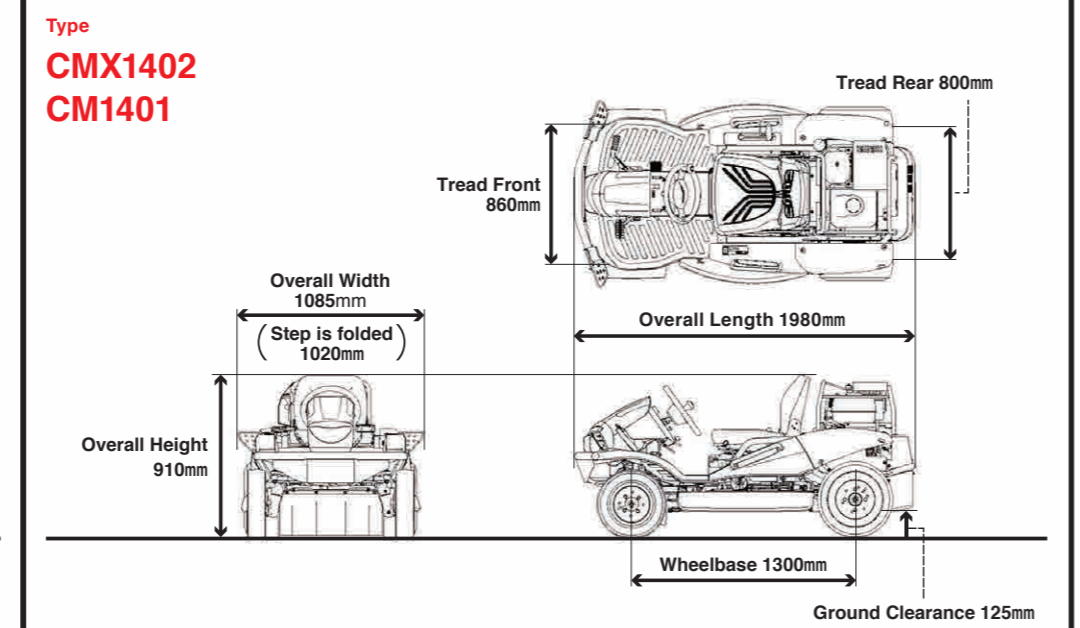
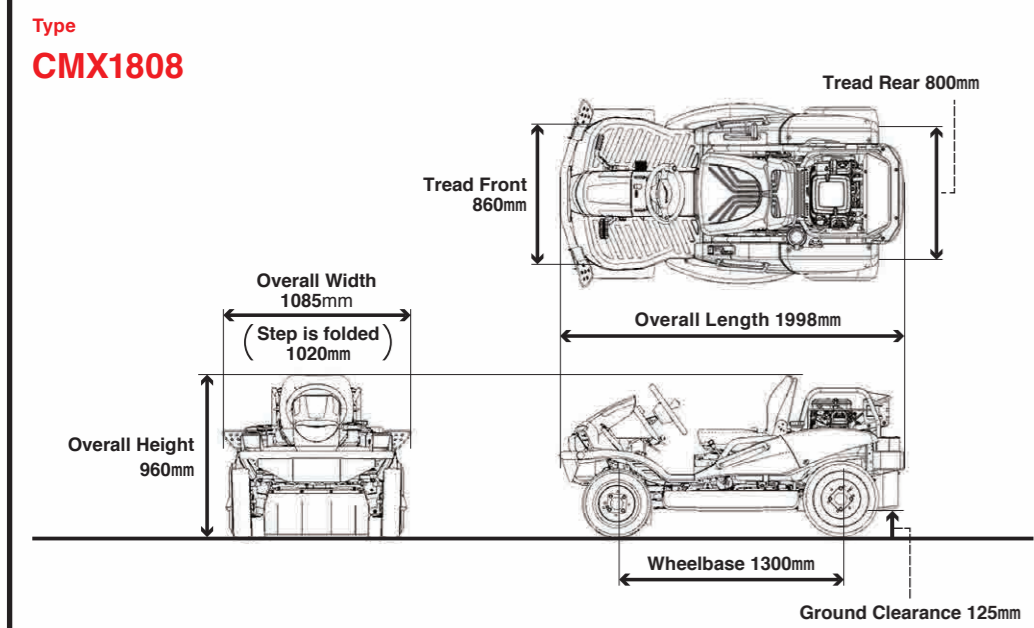
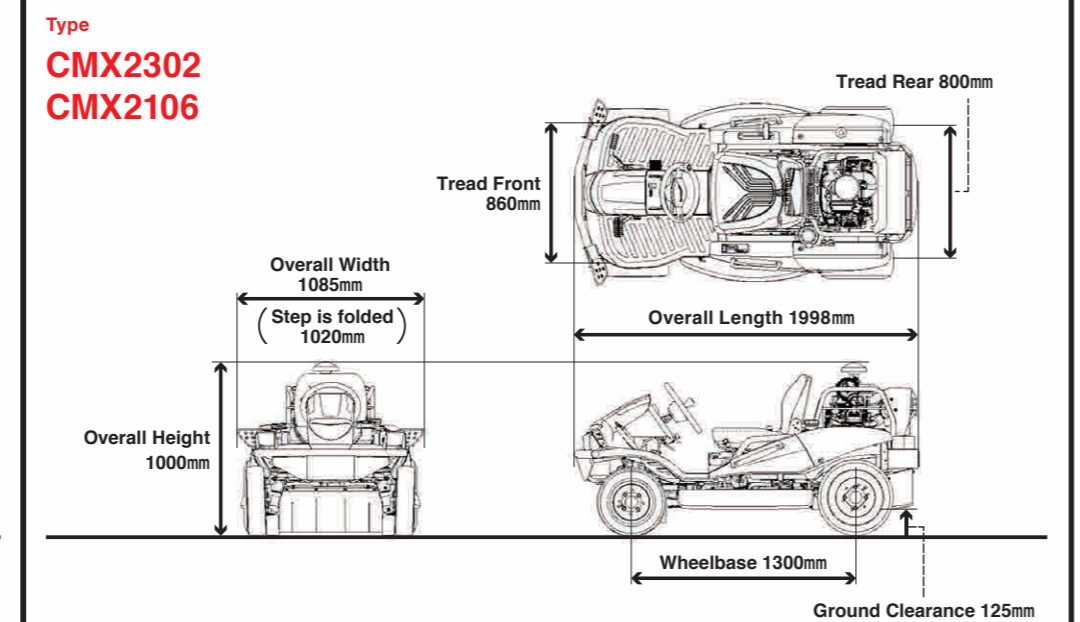
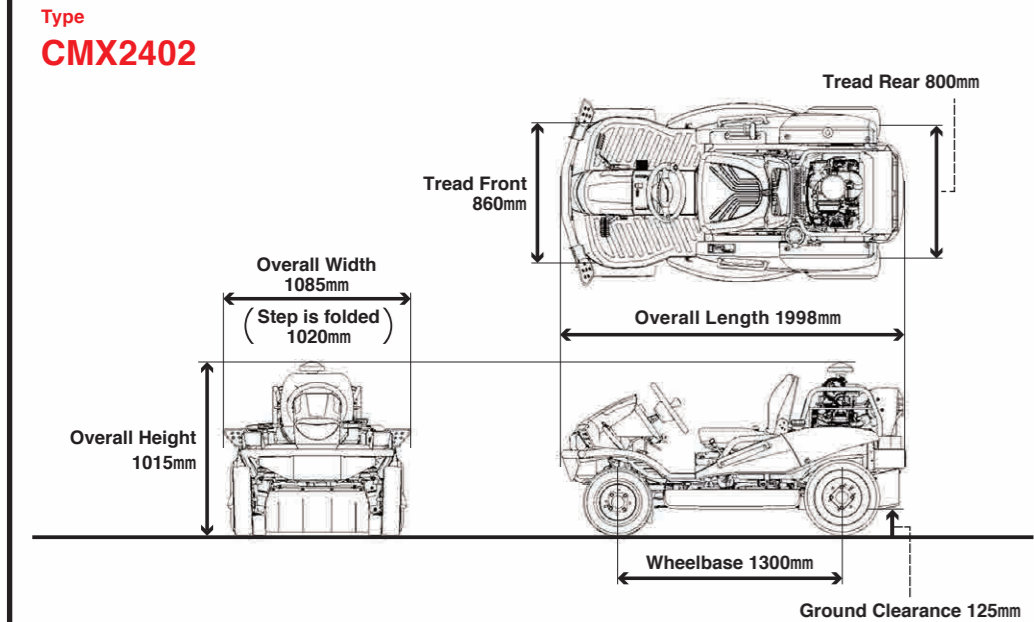
\*2 See below URL for the latest CO2 measurement results of GX690RH. <http://www.honda-engines-eu.com/co2-engines> This CO2 measurement results from testing over a fixed test cycle under laboratory conditions a (n)

(parent) engine representative of the engine type (engine family) and shall not imply or express any guarantee of the performance of a particular engine.

\*3 The power rating of the engine indicated in this document is the net power output tested on a production engine for the engine model and measured in accordance with SAE J1349 at 3,600 rpm (net power) and at 2,500 rpm(max net torque).

\*4 The stability angle complies with ISO5395-3. (in accordance with the standard measuring method)

## Dimensions



These specifications are subject to change without notice.

# Blades

No tools are necessary

Easy to replace!!

CMX2402 CMX2302  
CMX2106 CMX1808  
CMX186  
CMX227 CMX2502  
PART NO.  
Z332 4202 010

CM141  
PART NO.  
Z331 4206 010

Sharp and Durable!!

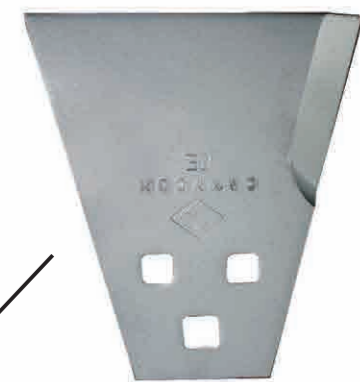
CM1401 CMX222  
CMX1402  
PART NO.  
Z321 4212 010

*\*tools are necessary*

Excellent Durability!!

CM1401 CMX1402  
PART NO.  
Z321 4206 010

*\*tools are necessary*



← movie to set blade